



RETURNLINE FILTER RF

ENGINEERING

1

Ref. No. P04079

Release 03/2004

Description

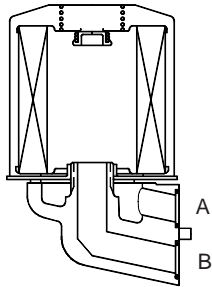
Sub-plate mounting style return line filter.

Paper element filtration media.

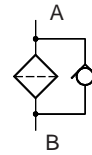
Spin on disposable canisters.



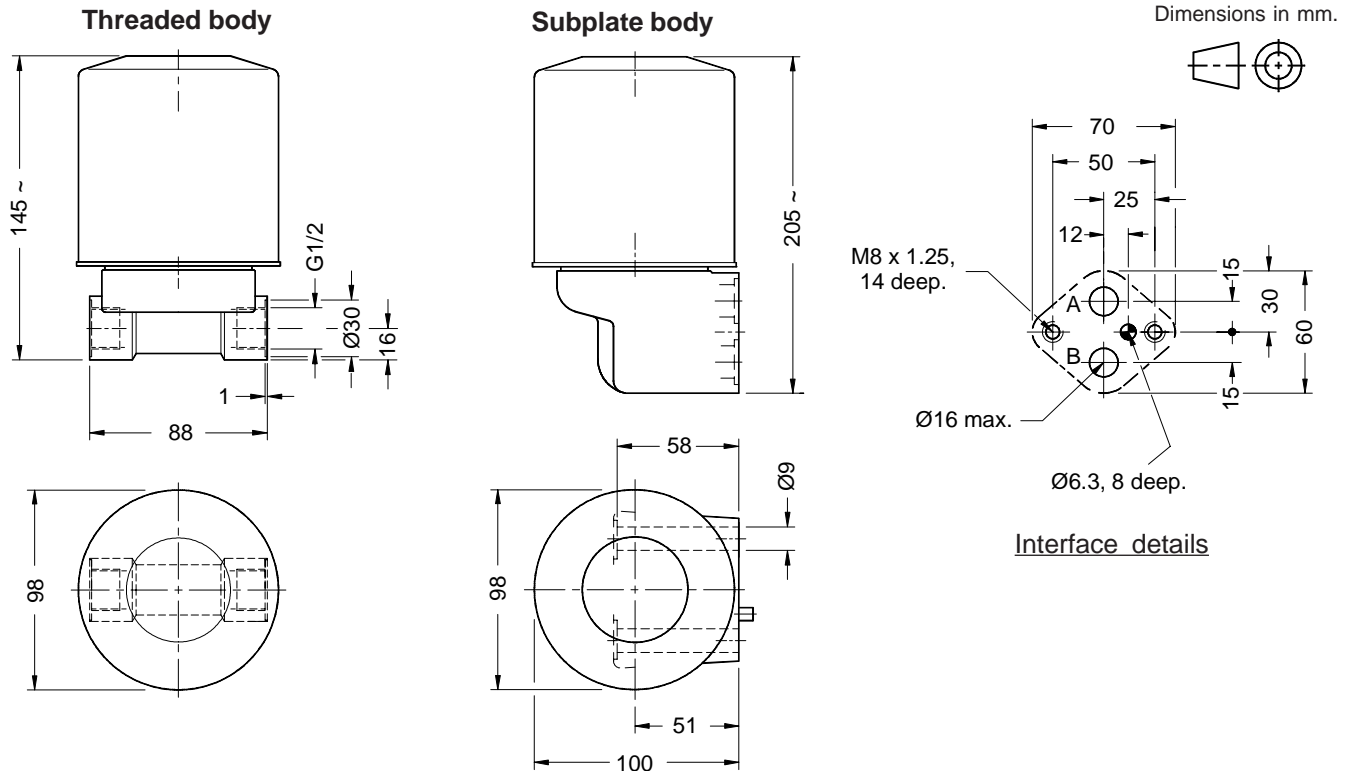
Section



Hydraulic symbol



Unit dimension



Polyhydron Pvt. Ltd.

78-80, Machhe Industrial Estate,
Machhe, Belgaum - 590 014. INDIA.

Phone : +91-(0)831-2411001
Fax : +91-(0)831-2411002
E-mail : polyhydron@vsnl.com
Website : www.polyhydron.com

P04079



RETURNLINE FILTER RF

ENGINEERING

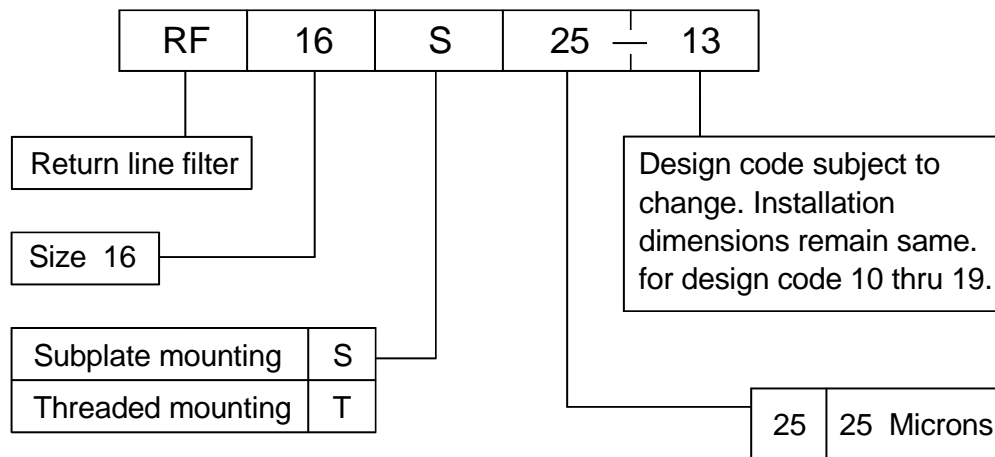
2

Ref. No. P04079

Technical specification

Hydraulic medium	Petroleum and mineral based oils only.
Maximum working pressure	7 bar.
Working temperature range	-20 °C to -70 °C.
Flow handling capacity	40 l/min. (nominal).
Filtration capacity - RF S25	25 Microns nominal.
Mass	1.2 kg.

Ordering Code



All rights reserved.
Subject to revision.