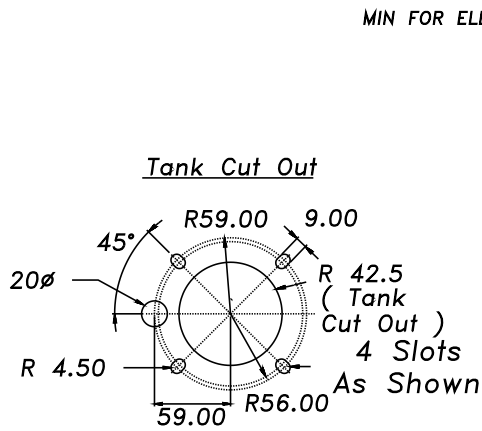
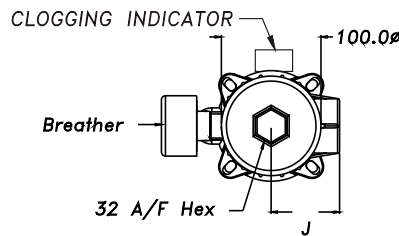


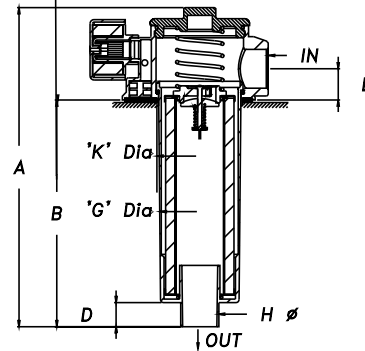
# FILTER - TANK IMMERSED - RPFB



- DIRECT TANK MOUNTING
- PRESSURE - MAX. 7 BAR / TEST 12 BAR / BURST 16 BAR
- ALUMINIUM / PLASTIC CONSTRUCTION
- 3 SIZES FLOW TO 150 LPM
- BREATHER INCLUDED
- BY PASS STANDARD 1 BAR
- SUITABLE FOR MINERAL / PETROLEUM BASED OILS
- MAX. TEMP 80°C



MIN FOR ELEMENT CHANGE "C"



MODEL NO	THDS	A	B	C	D	E	G Φ	H Φ	J	K Tank Cut Out
RPFB - 06	3/4" BSPP	311.00	230.00	350.00	24.00	32.00	80.00	38.00	68.00	84.00 <sup>+2.8</sup>
RPFB - 08	1" BSPP	311.00	230.00	350.00	24.00	32.00	80.00	38.00	68.00	84.00 <sup>+2.8</sup>
RPFB - 10	1- 1/4" BSPP	392.00	311.00	405.00	24.00	32.00	80.00	38.00	68.00	84.00 <sup>+2.8</sup>

# FILTER - TANK IMMERSED - RPF



## MODEL CODE : ASSEMBLY

RPF	- 06*	L1	- P10	- **	Breather Element	
SERIES	PORT THREAD	BOWL LENGTH	FILTRATION m MICRONS	FEATURE 1 BY Pass ( OMIT IF STD)	- Filtration Micron	
	<b>06 B</b> - 3/4" BSPP	<b>L1 - 220</b>	<b>P10</b> - 10 m NOM	<b>R3</b> - 15PSI (STD)	40 nom	
	<b>06 N</b> - 3/4" NPT					
	<b>12 S</b> - 1-1/16" UNF - 12		<b>P25</b> - 25 m NOM		<b>R4</b> - 25 PSI	10 nom
	<b>08 B</b> - 1" BSPP					
	<b>08 N</b> - 1" NPT	<b>L2- 300</b>	<b>A10</b> - 10 m ABS		03 nom	
	<b>16 S</b> - 1-5/16" UNF - 12					
	<b>10 B</b> - 1-1/4" BSPP					
	<b>10 N</b> - 1-1/4" NPT					
<b>20 S</b> - 1- 5/8" UNF - 12						

INDICATOR : OPTIONAL ( TO BE ORDERED SEPERATELY )

Element : P10 / P25 Was 010 / 025

GR - VISUAL RETURN    ER - ELEC. RETURN

## MODEL CODE : ELEMENT

RPE	- L1	- P10	- **
	SIZE	FILTRATION μ MICRONS	BY Pass ( OMIT IF STD)
RPE	<b>L1</b>	<b>P10</b> - 10 μ NOM	<b>R3</b> - 15PSI (STD)
		<b>P25</b> - 25 μ NOM	
	<b>L2</b>	<b>A10</b> - 10 μ ABS	<b>R4</b> - 25 PSI
		<b>A25</b> - 25 μ ABS	

WITH BYPASS

## MODEL CODE : SEALING KIT

RPF	- L1	- SK	- **
	SIZE	SEAL KIT	FEATURE # OPTIONAL
RPF	<b>L1</b>	<b>SK</b>	
	<b>L2</b>		

# OPTIONAL / SPECIAL FEATURE - OMIT IF NOT REQUIRED

## Element Details

SIZE	D φ	B φ	H	Area SqCm	
				P-10/25	A-10/25
RPE - L1	70	40	220	3300	2400
RPE - L2	70	40	300	4500	3250

CONSULT FACTORY FOR ANY OTHER REQUIREMENT

