

Description

Seat type valve with replaceable cartridge.
Balanced poppet construction to reduce operating forces.

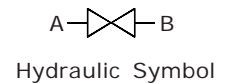
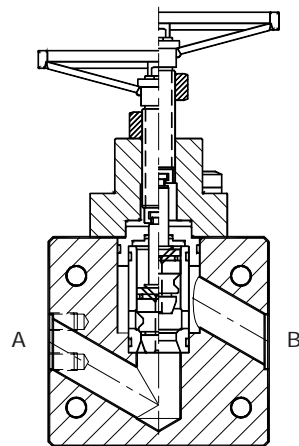
Can also be used for throttling the flow.

Provision for locking the spindle in any set position.
(for throttling purpose).

Inlet and outlet ports are provided with provision for mounting of flanges as per ISO 6162 bolt pattern.



Section



Unit Dimensions

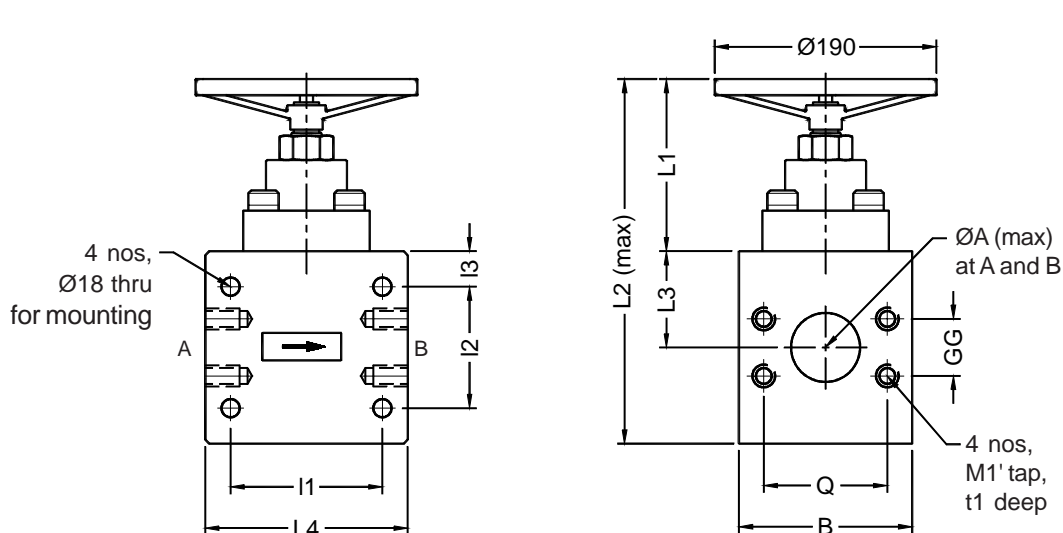


Table 1

Model Code	Flange Size	Pr (bar)	ØA	B	L1	L2	L3	L4	I1	I2	I3	Q	GG	M1	t1
SLBF-J12S40-2.0	1.5" Code 62	410	38	135	183	408	95	200	160	120	35	79.3	36.5	M16x2.0	26
SLBF-J16S40-2.0	2.0" Code 62	410	50									96.8	44.5	M20x2.5	33
SLBF-J16L50-2.0	2.0" Code 61	200	50	145	188	448	115	250	190	160	30	77.8	42.9	M12x1.75	20
SLBF-J20L50-2.0	2.5" Code 61	200	60									88.9	50.8	M12x1.75	20
SLBF-J16S50-2.0	2.0" Code 62	410	50									96.8	44.5	M20x2.5	33

Shut off Valve, In-line flange mounting, Model : SLBF-J- *-2.0



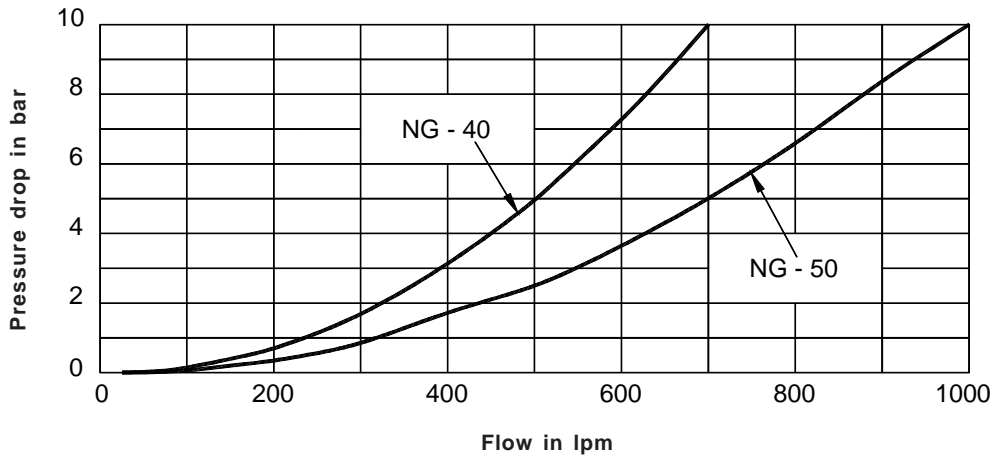
the right connection

Ref. No : H04238, Release Oct 2006 (Dimensions in mm)

Technical Specifications

- Construction Seat type valve with seals on poppet. Partially balanced.
- Mounting type In line flange mounting, interface conforms to
ISO 6162 bolt pattern.
(ISO 6164 bolt pattern flanges are also available on request)
- Mounting position Optional
- Flow direction From port `A' to port `B'.
- Operating pressure Refer Table 1
- Hydraulic medium Mineral oil.
- Viscosity range 10 cSt to 380 cSt.
- Fluid temperature range -20 °C to +70 °C.
- Fluid cleanliness requirement As per ISO 19/16 or better.
- Maximum flow handling capacity Refer graph.

Expected Performance Curves



Ordering Code

